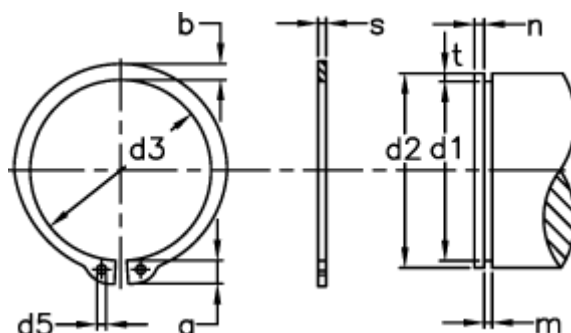


Data Sheet



Article number: 0109037A
 Description: Retaining ring AS 20x1.75
 Spring steel
 Note: Fitted with ZGA pliers

Measures



a max	= 5.5	Description	= AS 20	s	= 1.75
AN mm ²	= 33.8	FN kN	= 5.60	t	= 0.50
B	= 2.12	FRg kN	= 8.2	tol	= -0.13
b	= 3.0	FR kN	= 36.3	tol	= -0.06
d1	= 19.0	g	= 1.5	tol	= +0,21 -0,42
d2	= 20	m min	= 1.85	Tong	= ZGA-2
d3	= 18.5	n abl x 1000	= 32	Weight kg/1000	= 2.25
d5 min	= 2.0	Nominal drive	= 1.6		